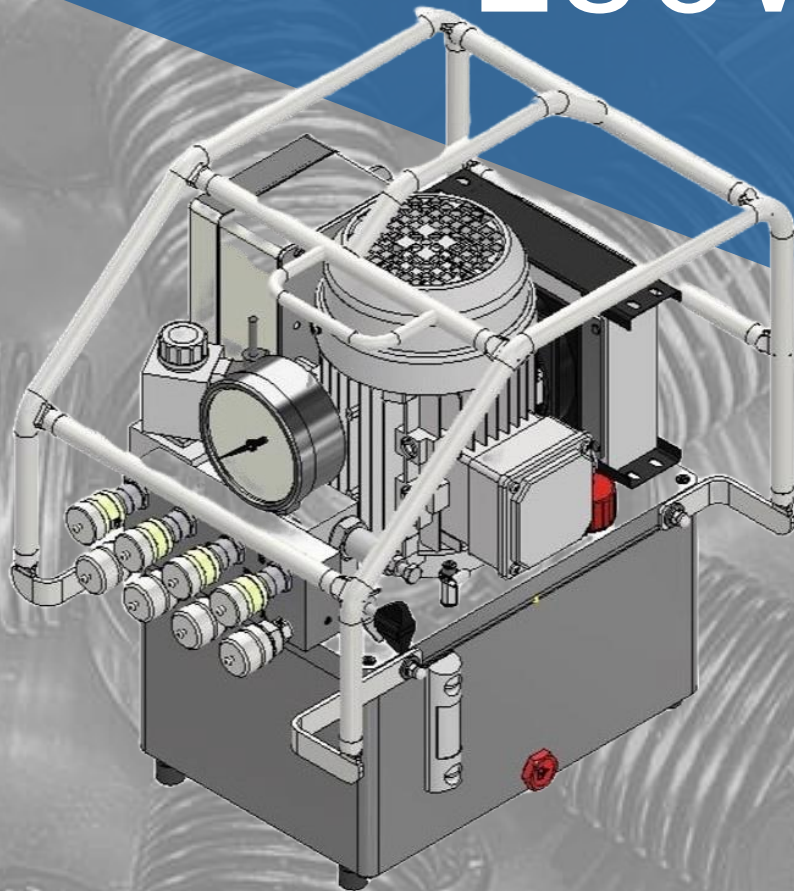


HL150-3- 230V-SF



Maximum Pressure	10,145 PSI	700 bar
Voltage	1~220-240 V 50Hz	1~220-240 V 50Hz
Nominal Power output	2.04 HP	1,5 kW
5m remote control with electric push button		
Pump Capacity		
Low pressure < 75 bar 1087 PSI	702 in ³ /min	11,5 l/min
Medium pressure 75-220 bar 3188 PSI	206 in ³ /min	3,7 l/min
High pressure up to 680 bar 9855 PSI	73 in ³ /min	1,2 l/min
Connections	1-/2-/4-Port	1-/2-/4-Port
Weight without/with oil	70 / 90 lbs	32 / 41 kg
Fluid capacity	2.4 gal	9,0 Liter
Fluid DIN 51524-2	HLP32 or HLP46	HLP32 or HLP46
Dimensions		
Length	18"	46 cm
Width	14"	35 cm
Height	20"	51 cm
Noise Level	82 dB(a)	82 dB(a)